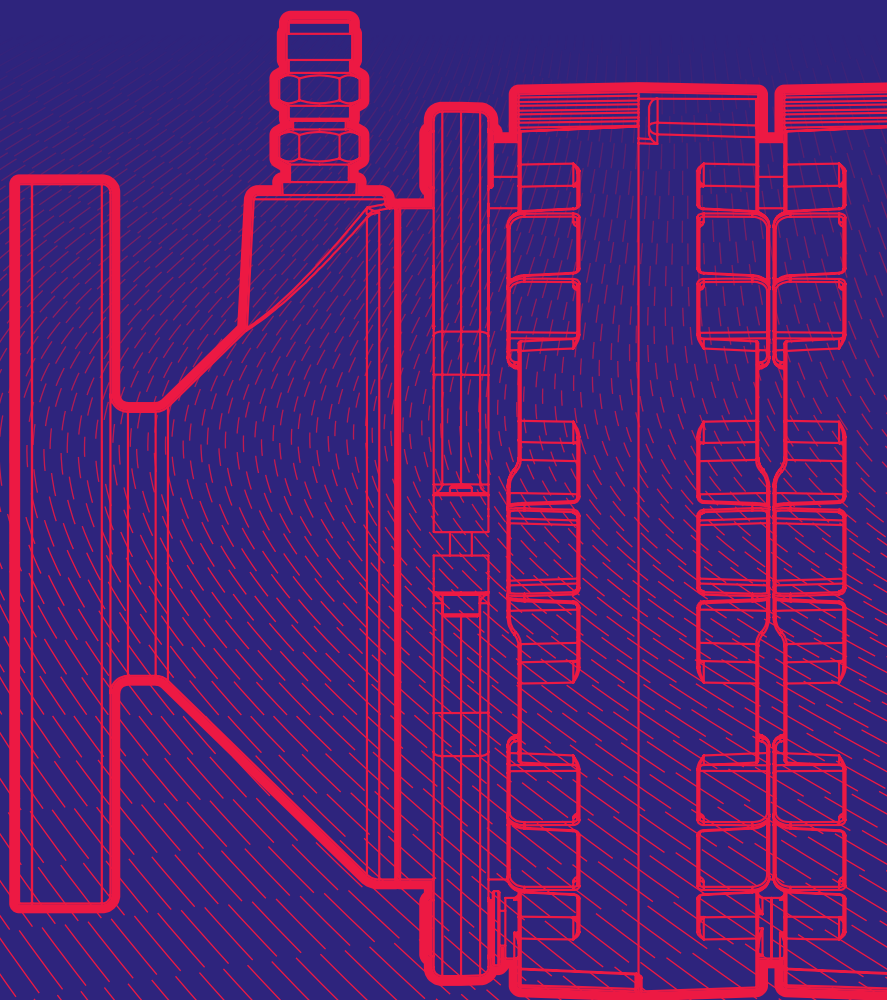


ADEY®

MagnaClean® DRX

Installation and service guide



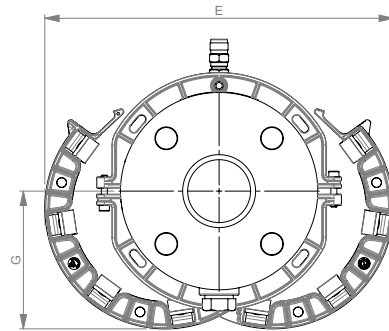
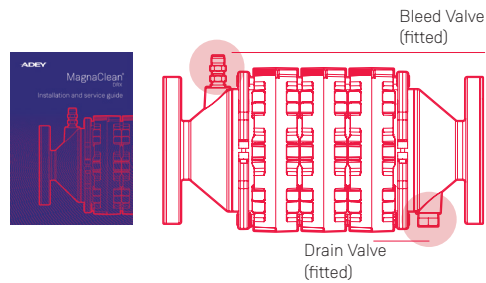
MagnaClean DRX®

The *MagnaClean DRX* magnetic filter is designed to protect commercial and industrial central heating systems by removing suspended black iron oxide. Even a small build-up of iron oxide in a modern boiler system can result in substantial loss in efficiency and energy wastage.

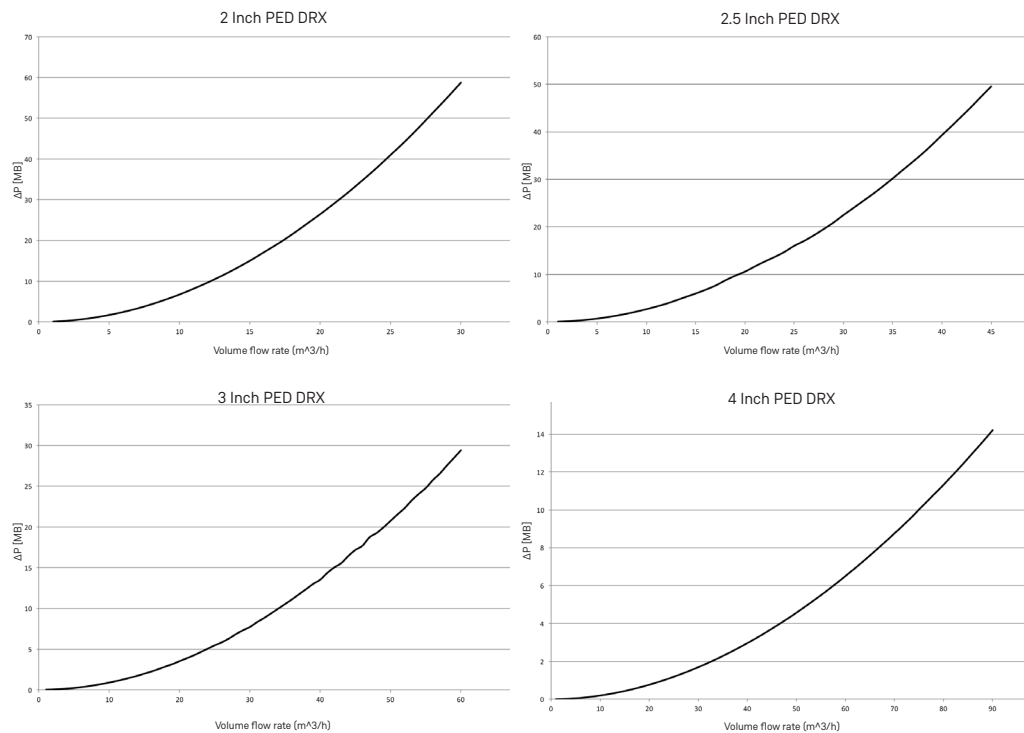
This product has a two-year limited guarantee.

The instructions are designed to support engineers in the safe and effective installation and servicing of the filter. It is recommended that the filter should be installed and serviced by a qualified heating engineer.

Contents

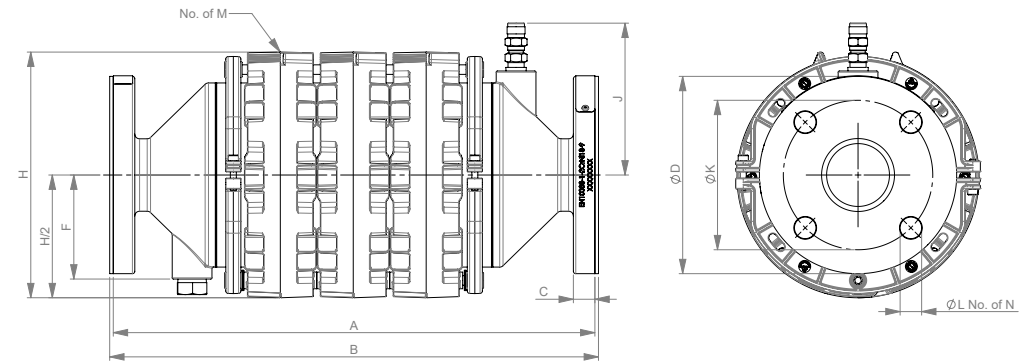


Pressure Differential



Dimensions

MagnaClean DRX	A (mm)	B (mm)	C (mm)	D (mm)	E (mm)	F (mm)	G (mm)	H (mm)	H/H2 (mm)	J (mm)	K (mm)	L (mm)	M (mm)	N (mm)
2"	403	409	18	165	292	87	115	205	103	127	125	18	3	4
2½"	403	409	18	165	292	87	115	205	103	127	145	18	3	4
3"	467	473	20	200	292	87	115	205	103	127	160	18	4	8
4"	528	534	20	220	292	87	115	205	103	127	180	18	5	8



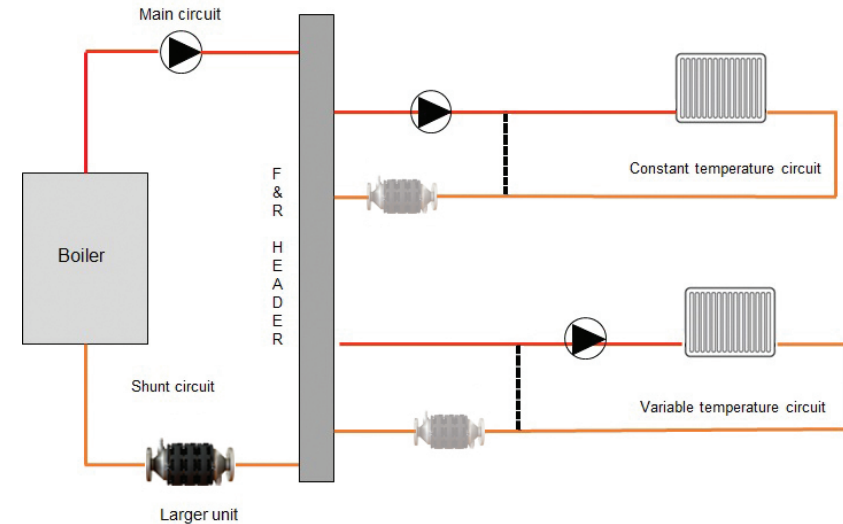
Installation

IMPORTANT! Always read instructions

The *MagnaClean DRX* Filter offers a number of location solutions depending on the type of system. In determining the best location, it is important to allow adequate access for servicing.

Some typical systems are illustrated below:

Cascade (Zoned)



Loss Loss Header

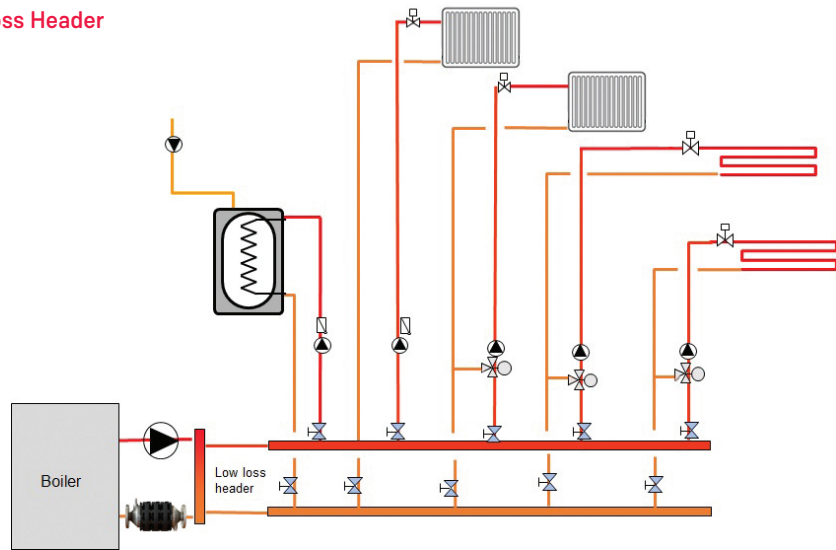
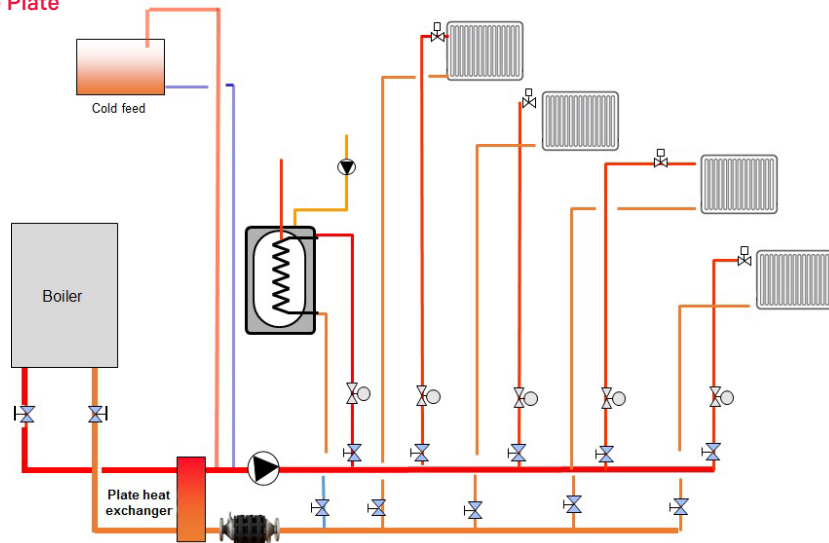
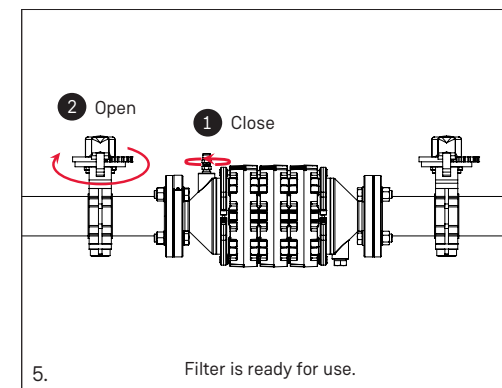
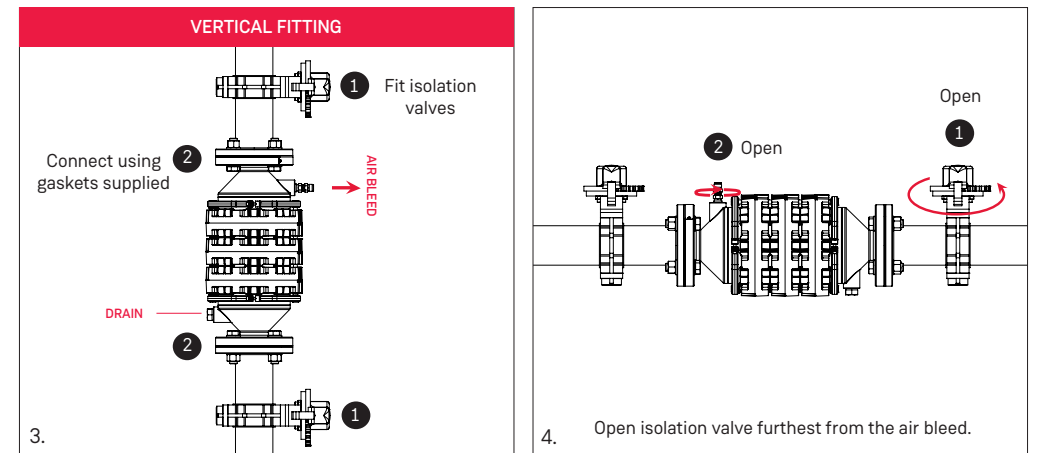
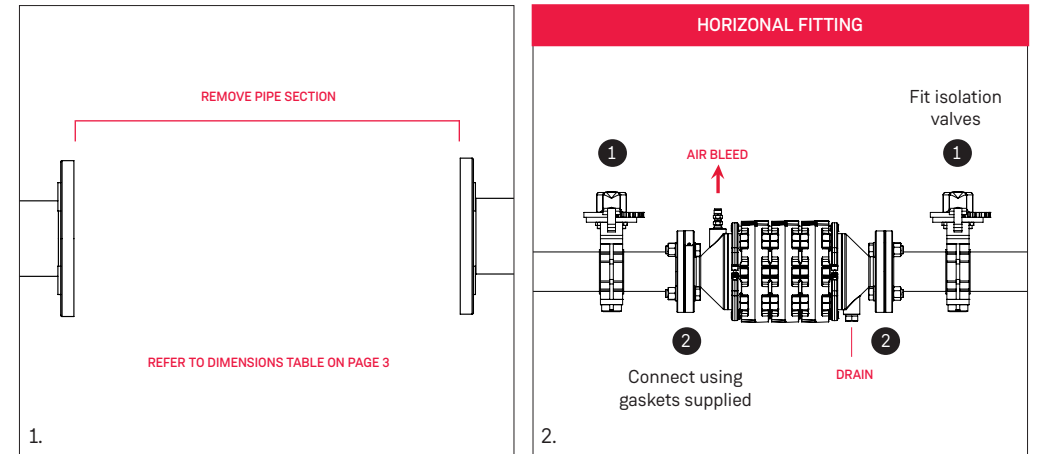


Plate to Plate

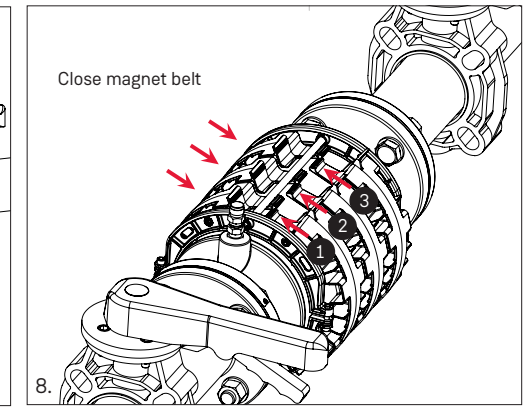
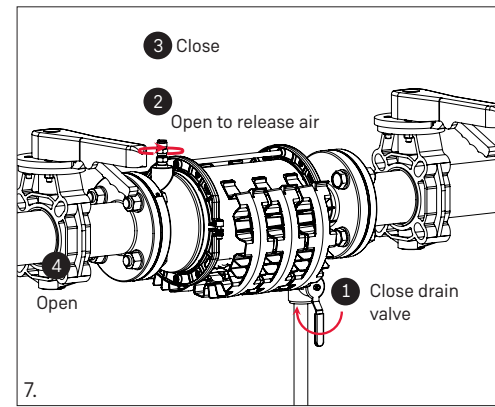
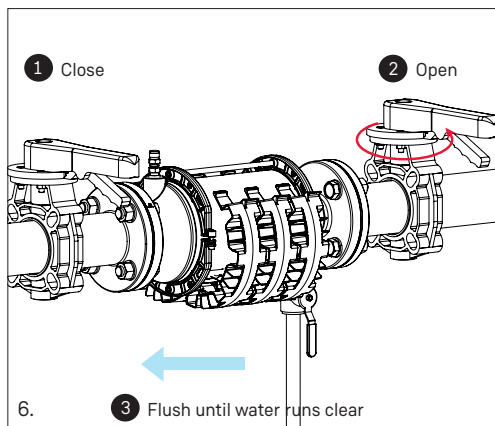
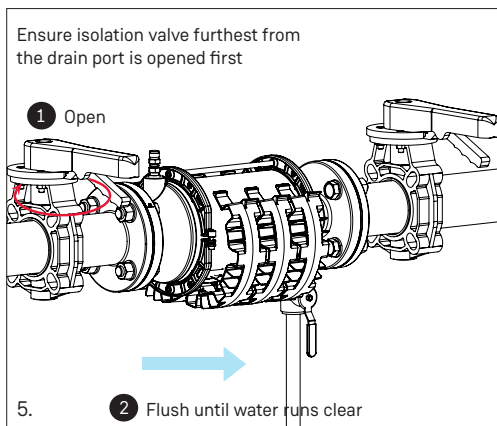
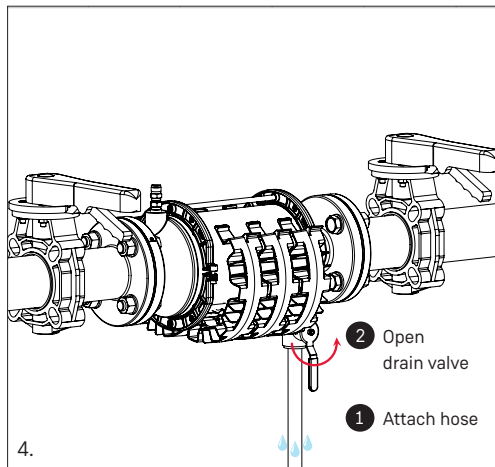
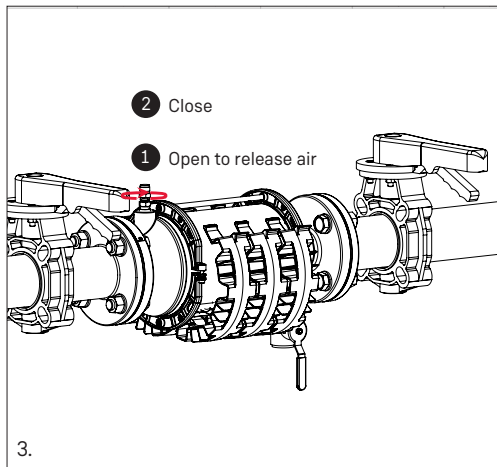
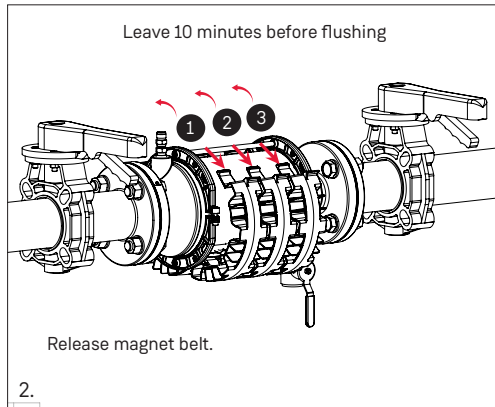
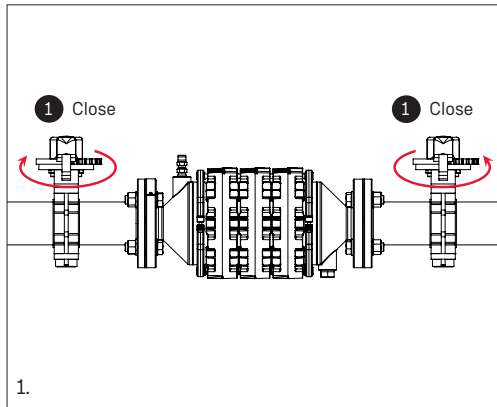


Note. For servicing, isolation valves need to be fitted either side of the filter. These valves are not supplied with the filter.

Installation



Servicing



MagnaClean DRX	2" DN50	2½" DN65	3" DN80	4" DN100 <small>(only available in UK)</small>
Product code	FL1-03-03781	FL1-03-03814	FL1-03-03782	FL1-03-03783
Casing				
Material	304L Stainless Steel			
Volume (PED) Litres (approx)	4.97	5.12	6.36	7.76
Flow configuration	In-line			
Seals	EPDM Flange gaskets			
Drain point thread	¾" BSPT			
Maximum working pressure	16 Bar			
Maximum working temperature	100°C			
Air vent	Manual (Automatic air vent available to order as a separate accessory)			
Magnet Assembly				
Casing	Glass reinforced Nylon			
Magnets - type	Neodymium			
Magnets - number of	48	48	64	80
Magnets - dimensions	20mm Dia x 10mm Thk			
Flow Flange PED				
Flange diameter	165mm	185mm	200mm	220mm
Flange thickness	18mm	18mm	15mm	15mm
Flange type	PN16			
Bolt size	M16			
Bolt quantity	4	4	8	8
Bolt hole PCD	125mm	145mm	180mm	180mm
Approvals				
PED	PED 2014/68/EU: TABLE 4 SEP			
Weight (Kg)	11.9	13.2	15.8	18.2
Dimensions	See technical drawings			



Warranty

Energy Saving Thermal Jacket

Designed to insulate the *MagnaClean DRX* filter. Thermal jackets retain heat levels, reducing energy consumption, costs and carbon emissions.

CAUTION:



MagnaClean filter contains a strong magnet. Keep away from all electrical devices, bank cards and other magnetic devices.



MagnaClean filter contains a strong magnet. Caution should be taken at all times when handling if you have a pacemaker fitted.



MagnaClean filter is a pressurized device. Always release pressure before servicing.



Unit may be hot in operation. Handle with care.



ADEY®

Telephone: 01242 546717 Email: info@adey.com

www.adey.com



Produced from recycled material A carbon neutral company

For the most up-to-date version of the *MagnaClean DRX* installation and servicing guide visit adey.com

M05820 - LF2-01-04077 V1